

# TECHNICAL SPECIFICATIONS

## 7-axis robots

Last revised: 06/2021

General specifications	KR810	KR1018	KR1205	KR1410	KR1805
Reach (mm)	850	1000	1200	1400	1800
Payload (kg)	10	18	5	10	5
Weight (kg)	24	34	25	35	38
Joint speed (deg/s)	225	163/225	225	163/225	163/225
Joint ranges (deg)	J2 and J4: -70°/+180°; J1, J3, J5, J6 and J7: ±360°				
Brakes on joints	Yes	Yes	Yes	Yes	Yes
Absolute encoders on joints	Yes	Yes	Yes	Yes	Yes
Repeatability (mm)	+/- 0.1	+/- 0.1	+/- 0.1	+/- 0.1	+/- 0.1
Degrees of freedom	7	7	7	7	7
Footprint (mm)	130 × 130	160 × 160	130 × 130	160 × 160	160 × 160
Operating temperature (C°)	0–45	0–45	0–45	0–45	0–45
Body material	Anodized aluminum				
Protection rating	IP54	IP54	IP54	IP54	IP54

Controller	KR810	KR1018	KR1205	KR1410	KR1805
Digital outputs 24V (pcs)	8	8	8	8	8
Relay outputs (pcs)	4	4	4	4	4
Digital inputs 3–30V (pcs)	16	16	16	16	16
Analogue I/O 0–10V (pcs)	2/2	2/2	2/2	2/2	2/2
Analogue I/O 4–20mA (pcs)	2/2	2/2	2/2	2/2	2/2

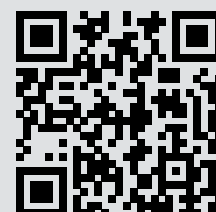
Power	KR810	KR1018	KR1205	KR1410	KR1805
Power consumption (with max. load; W)	400–600	400–1200	400–600	400–1200	400–1200
Supply voltage (VAC)	100–120 or 200–240	100–120 or 200–240	100–120 or 200–240	100–120 or 200–240	100–120 or 200–240
Supply current (A)	16	16	16	16	16
Supply frequency (Hz)	50/60	50/60	50/60	50/60	50/60
Max speed (mm/s)	1200/1800	2000/2400	1200/1800	2000/2400	2000/2400
Sound level (dB)	<65	<65	<65	<65	<65

Data Sheet (Technical Specifications) - EN - 06-2021. No responsibility is taken for the correctness of the information in this brochure.



## Kassow Robots: Product Family

	Reach/Payload
<b>KR810</b>	850 mm/10 kg
<b>KR1018</b>	1000 mm/18 kg
<b>KR1205</b>	1200 mm/5 kg
<b>KR1410</b>	1400 mm/10 kg
<b>KR1805</b>	1800 mm/5 kg



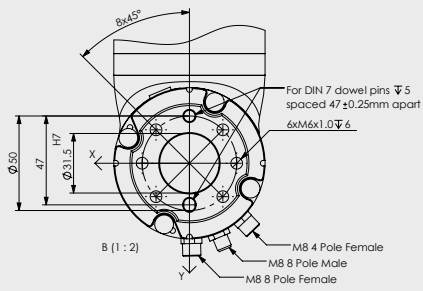
### Contact

Kassow Robots  
Oliefabriksvej 57  
2770 Kastrup, Copenhagen  
Denmark  
+45 20 24 09 95  
sales@kassowrobots.com  
[www.kassowrobots.com](http://www.kassowrobots.com)

**Robot frames, kinematics and mechanical interfaces**

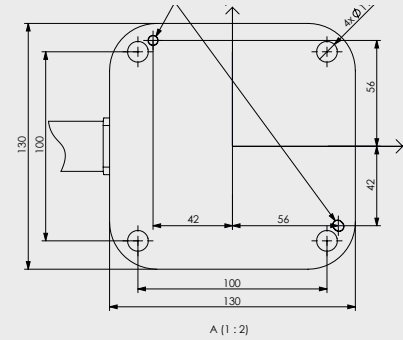
**All cobots**

Tool head with connections



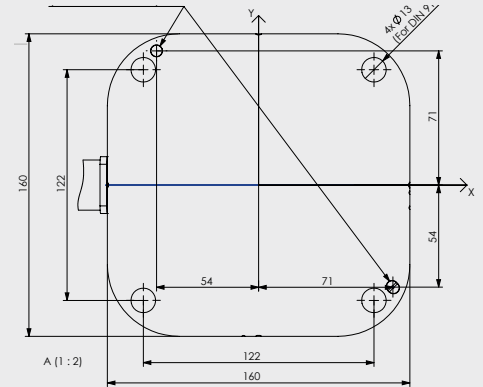
**KR810, KR1205**

Based plate dimensions



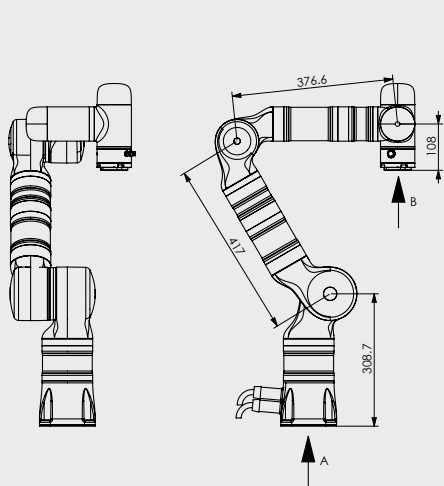
**KR1018, KR1410, KR1805**

Based plate dimensions



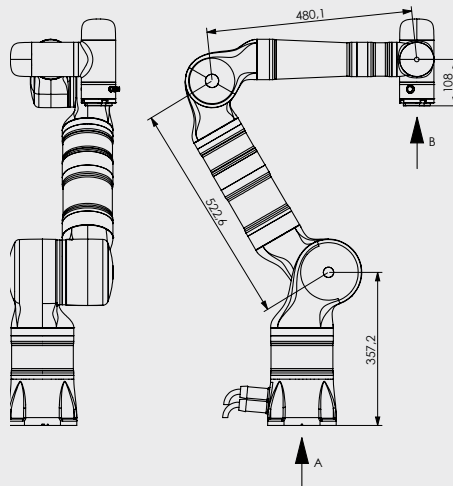
**KR810**

Dimensions



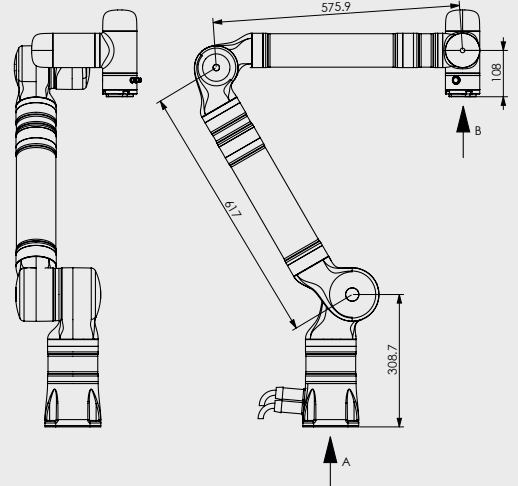
**KR1018**

Dimensions



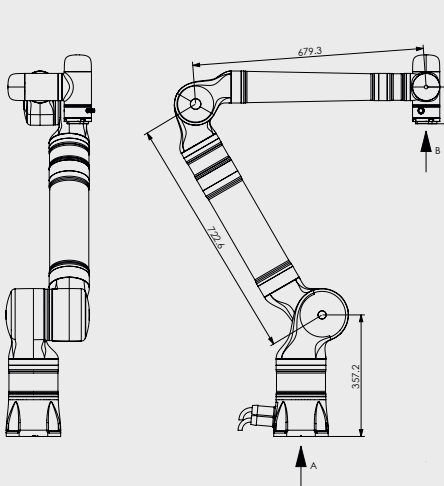
**KR1205**

Dimensions



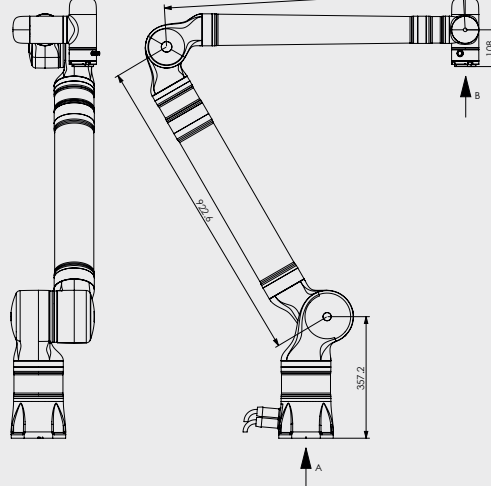
**KR1410**

Dimensions



**KR1805**

Dimensions



**7-axis cobot family**

<b>KR810</b>	850 mm/10 kg
<b>KR1018</b>	1000 mm/18 kg
<b>KR1205</b>	1200 mm/5 kg
<b>KR1410</b>	1400 mm/10 kg
<b>KR1805</b>	1800 mm/5 kg

Kassow Robots  
Oliefabriksvej 57  
2770 Kastrup, Copenhagen  
Denmark  
+45 20 24 09 95  
sales@kassowrobots.com  
www.kassowrobots.com